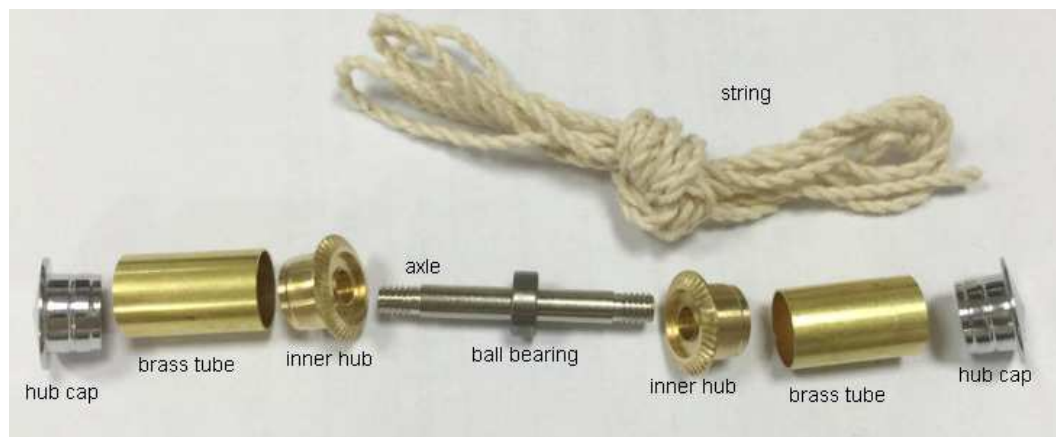


Yo-Yo kits Assembly Instructions

REQUIRED ACCESSORIES

- 7mm Pen Mandrel
- 10mm Drill Bit
- Bushing set
- 2-part epoxy glue or insta cure (cyanoacrylate) glue



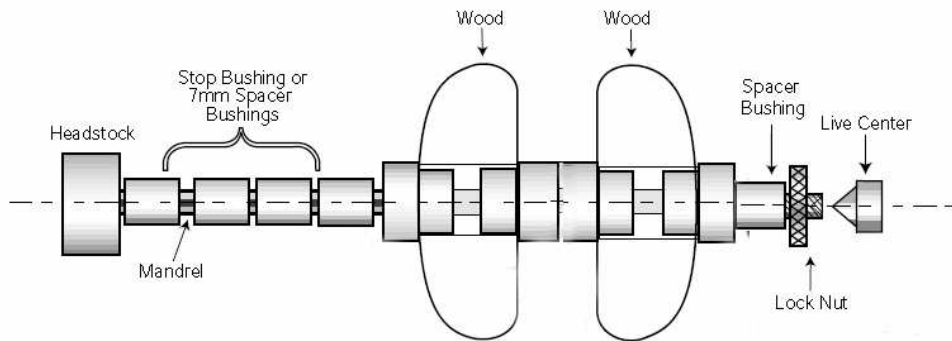
Preparing The Blanks

Plane the stock board to 5/8" thick . Cut 2 blanks to 2-1/2" square. We recommend finished blanks 2-1/4" diameter or smaller. Mark the center of each blank, and drill a 10mm hole through each.

Cut/trim off the corners of the blanks to make it easier to turn on the lathe.

Gluing: Use a liberal amount of 2 part epoxy glue on the brass tubes. Insert a tube into each hole with a twisting motion to spread the glue evenly inside. Use sandpaper to scrape off excess glue from all surfaces.

Diagram B / Turning The Blanks



Turning The Blanks

slide the bushings and the blanks onto the mandrel. Be sure the inside surfaces are facing each other.

Use 7mm spacer bushings to close the gaps on the shaft. Bring the tail stock with the live center snug against the mandrel shaft hole, and lock in place.

Tighten the lock nut (do not over tighten, it may damage the mandrel).

Turn the diameter of the wood down to 2" to 2-1/4". You may use any of the suggested profiles illustrated below, or one of your own design. Make sure that both halves of the yo-yo match, so the weight is distributed equally on both halves. Finish the yo-yo halves with sandpaper, polish and waxes of your choice.

NOTE: Do not finish sand or polish the inside surfaces. The surfaces should be left rough to allow for better breaking.

Diagram C / Suggested Turning Profiles

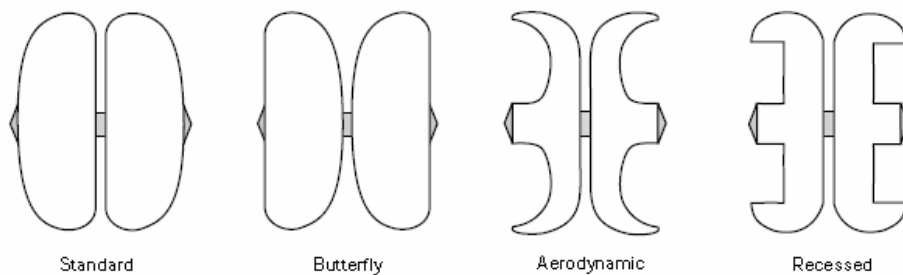
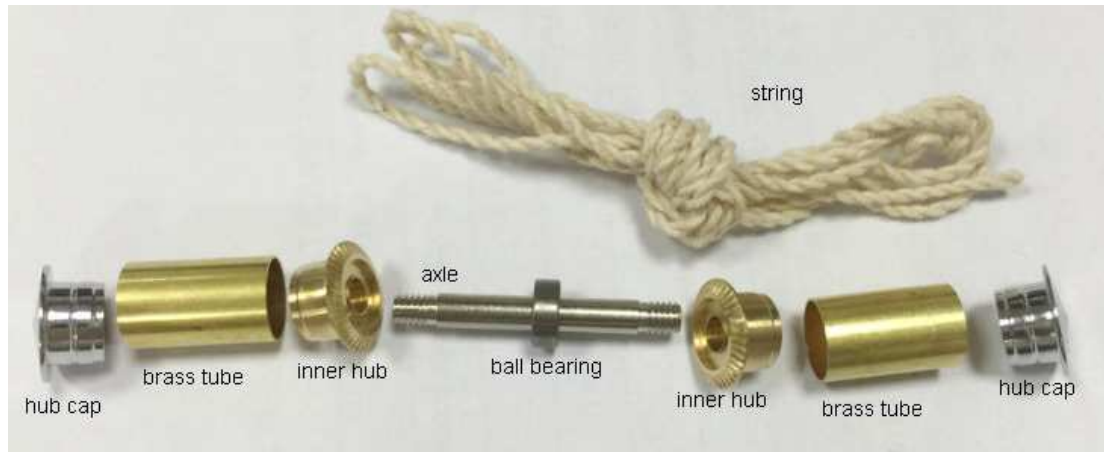


Diagram D

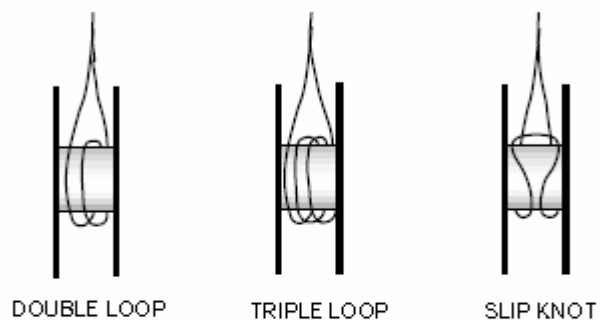


Assembly

- Line up finished parts according to Diagram 'D'.
- Press hub cap into the tube at the outer side of each half.
- Press the inner hub into the tube at the opposite side of each half.
- Insert the axle into either of the halves inner hub. Thread to bottom.
- Insert the ball bearing over the axle.
- Thread on the opposite half over the axle to bottom.
- Loop string over axle. (See Diagram 'E').
- The yo-yo is ready to perform

NOTE: A ball bearing yo-yo performs best with the string in a double or triple loop or slip knot over the axle (see Diagram 'E').

Diagram E / Stringing The Yo-Yo



Trouble Shooting

If the yo-yo "sleeps" too well and doesn't return, or if you cannot wind up the string, you have to improve the "brake". Rough-up or scratch a 1" diameter area on the inside surfaces of the yo-yo around the axle.