

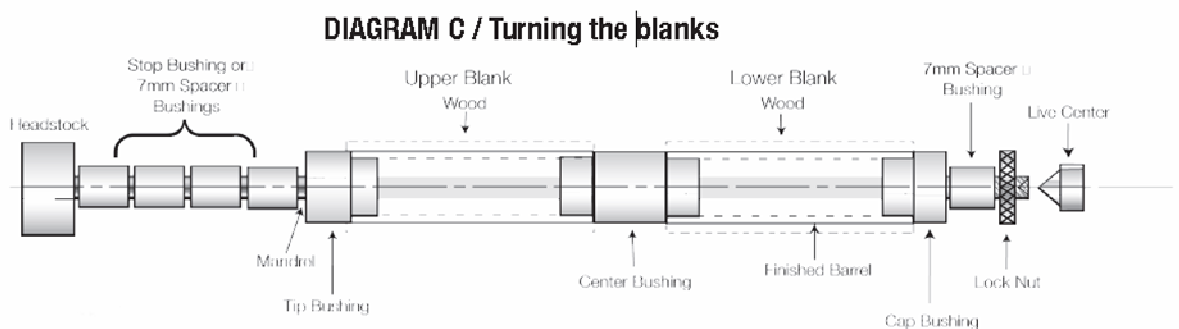
Power Pen & Pencil Kits Assembly Instructions

REQUIRED ACCESSORIES:

- 7mm long mandrel
- 3 pc bushing set RZ-BP26#-BU
- 8mm drill bit RZ-DB008
- 8mm barrel trimmer RZ-PM012
- 2-part epoxy glue, polyurathane glue, or Insta-Cure (cyanoacrylate)

PREPARING THE BLANK

- Cut 3/4" to 5/8" square blanks to the length of the brass tubes (add 1/16" for squaring off).
- Drill an 8mm center hole lengthwise through each blank.
- Spread glue over tube. Insert the tube into the blank with a twisting motion to spread the glue evenly inside. Center each tube lengthwise in the blanks.
- When the glue dries, square the ends of the blanks. Use an 8mm barrel trimmer or use a belt/disc sander to trim the wood down flush to the end of the brass tubes.



TURNING THE BLANK

- Place blank onto the mandrel, use 4 or 5, 7mm spacer bushings. Place the cap bushing (wider dia. first) on the mandrel. Then slide on either blank. Place the center bushing on the mandrel.
- Slide on the other blank and follow with the tip bushing, (narrow dia. first). Fill any extra space with more spacer bushings so the lock nut will be on the threads. Thread on the lock nut hand tight. Bring the tail stock snug with the mandrel. (Do not overtighten, it could damage the mandrel).
- Turn the wood down flush with the bushings using a lathe chisel and gradual higher grits of sand paper. Final sand both blanks for later finishing.
- Finish the blanks with your choice of polish and waxes.

DIAGRAM A / Pen Parts list

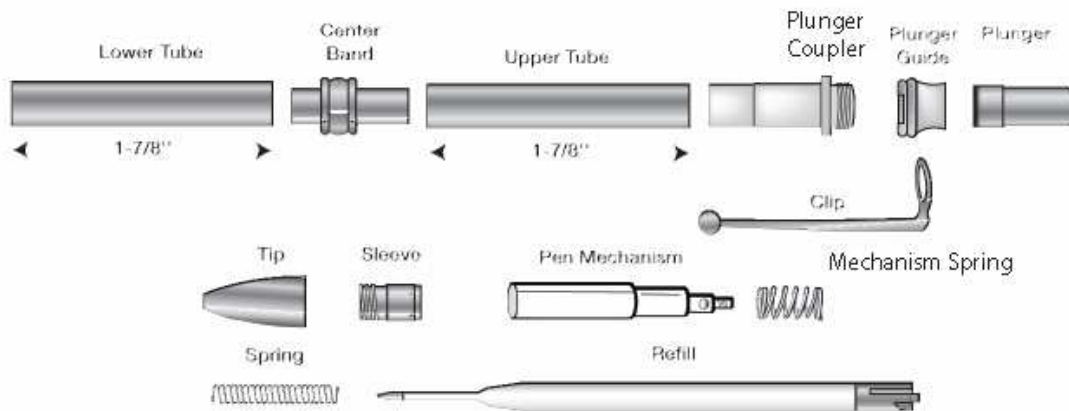
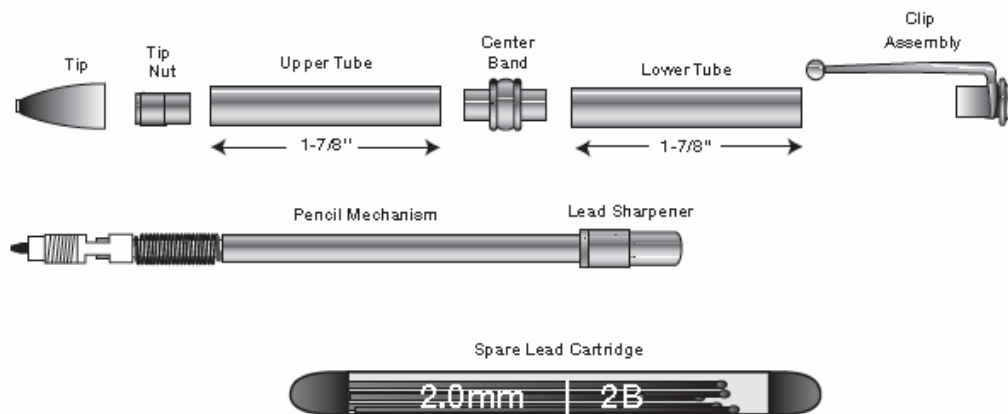


DIAGRAM B/ Pencil Parts list



PEN ASSEMBLY

- Press the sleeve, recess end in first into the lower barrel, to the shoulder.
- Press the center band, short extension in first into the opposite end of the barrel.
- Insert the 3 piece mechanism, narrow threaded end in first into the upper barrel.
- Press the exposed end of the center band into the upper barrel to follow the mechanism.
- Insert the plunger coupler, recess end in first into the opposite end of the upper barrel. Press in. Then, insert the clip over the thread, mount and screw in the plunger guide, align the clip rim into the slot in the plunger guide. Tighten.
- Screw the plunger guide over the coupler.
- Insert refill and spring, black end in first into the tip opening of the pen. Screw the tip over.
- Insert the mechanism spring into the opposite end of the pen, follow with the

plunger, wide end in first. Screw in.

- The pen operates by pushing the plunger to extend or retract the refill.

PENCIL ASSEMBLY

- Insert the tip nut, recessed end in first into the opening of the lower barrel.

Press in.

- Insert and press either extension of the center band into the opposite end of the lower barrel.

- Insert and press the clip assembly, recessed end in, into the opening at the upper barrel.

- Press the center band into the opposite end of the upper barrel.

- Insert the pencil mechanism, threaded end in first into the opening at the upper end, until the threads are exposed at the opposite end.

- Thread on the tip over the mechanism, tight.

- The pencil operates by clicking on the plunger to advance the lead forward. To retract the lead, press on the plunger and push down the lead inside.

- No lead storage inside the mechanism.

- To use the sharpener, just pull the plunger out and roll around the tip of the lead until sharp.

- To replace the lead, empty the old lead, remove the plunger and drop in a lead stick. Click on the plunger until the tip is exposed.